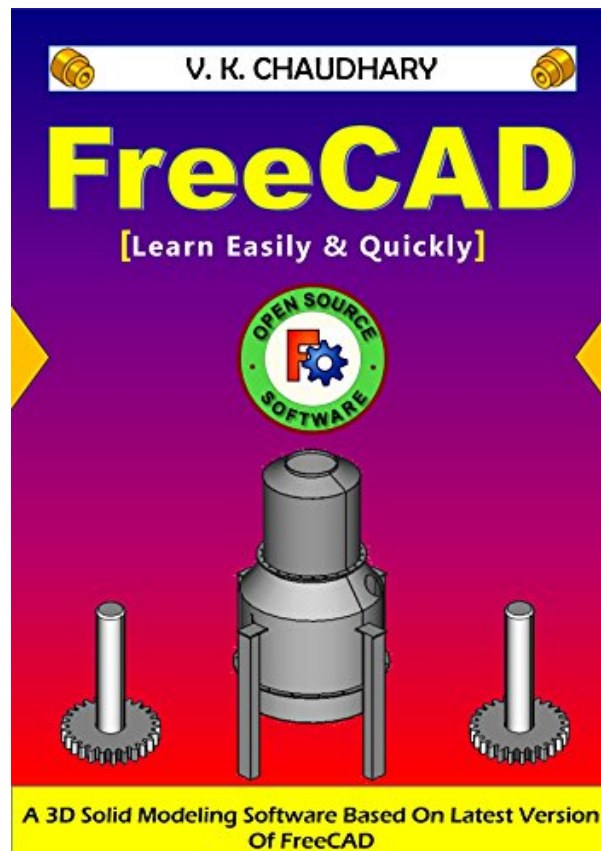


# **FREECAD: LEARN EASILY & QUICKLY BY V. K. CHAUDHARY**



**DOWNLOAD EBOOK : FREECAD: LEARN EASILY & QUICKLY BY V. K.  
CHAUDHARY PDF**



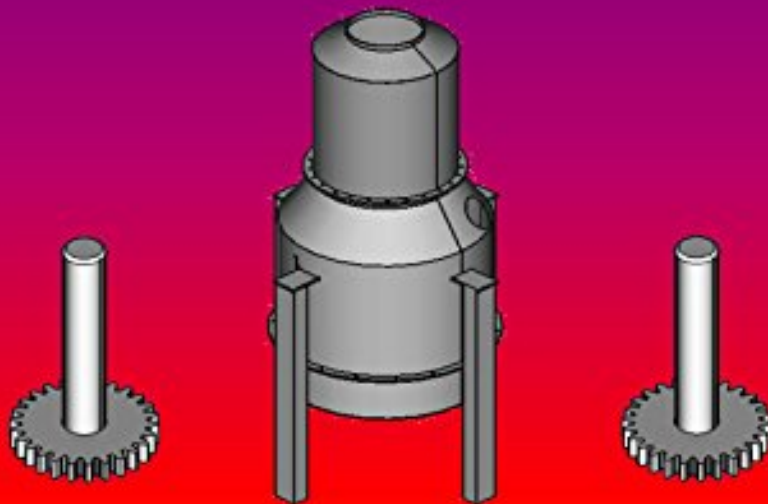


V. K. CHAUDHARY



# FreeCAD

[Learn Easily & Quickly]



A 3D Solid Modeling Software Based On Latest Version  
Of FreeCAD

Click link bellow and free register to download ebook:  
**FREECAD: LEARN EASILY & QUICKLY BY V. K. CHAUDHARY**

[DOWNLOAD FROM OUR ONLINE LIBRARY](#)

# **FREECAD: LEARN EASILY & QUICKLY BY V. K. CHAUDHARY PDF**

Why ought to be this on the internet e-book **FreeCAD: Learn Easily & Quickly By V. K. CHAUDHARY** You may not require to go someplace to check out the books. You can review this publication **FreeCAD: Learn Easily & Quickly By V. K. CHAUDHARY** every single time as well as every where you really want. Even it is in our extra time or sensation bored of the jobs in the office, this corrects for you. Get this **FreeCAD: Learn Easily & Quickly By V. K. CHAUDHARY** now as well as be the quickest individual which finishes reading this publication **FreeCAD: Learn Easily & Quickly By V. K. CHAUDHARY**

# **FREECAD: LEARN EASILY & QUICKLY BY V. K. CHAUDHARY PDF**

[Download: FREECAD: LEARN EASILY & QUICKLY BY V. K. CHAUDHARY PDF](#)

**FreeCAD: Learn Easily & Quickly By V. K. CHAUDHARY.** Exactly what are you doing when having extra time? Talking or browsing? Why don't you try to read some book? Why should be reviewing? Reading is just one of enjoyable as well as delightful activity to do in your extra time. By reviewing from lots of resources, you could locate brand-new information and also encounter. The e-books FreeCAD: Learn Easily & Quickly By V. K. CHAUDHARY to read will certainly be numerous starting from scientific books to the fiction publications. It implies that you can check out guides based upon the requirement that you desire to take. Obviously, it will be various and you could check out all e-book types whenever. As right here, we will certainly reveal you an e-book ought to be reviewed. This e-book FreeCAD: Learn Easily & Quickly By V. K. CHAUDHARY is the option.

Often, checking out *FreeCAD: Learn Easily & Quickly By V. K. CHAUDHARY* is really uninteresting as well as it will certainly take very long time starting from getting guide and also begin reading. However, in modern-day era, you can take the establishing modern technology by making use of the internet. By internet, you can see this web page as well as begin to search for the book FreeCAD: Learn Easily & Quickly By V. K. CHAUDHARY that is needed. Wondering this FreeCAD: Learn Easily & Quickly By V. K. CHAUDHARY is the one that you require, you could go with downloading and install. Have you understood the best ways to get it?

After downloading the soft file of this FreeCAD: Learn Easily & Quickly By V. K. CHAUDHARY, you could begin to read it. Yeah, this is so satisfying while someone ought to read by taking their large publications; you remain in your new way by only handle your gizmo. Or even you are working in the office; you can still use the computer system to check out FreeCAD: Learn Easily & Quickly By V. K. CHAUDHARY fully. Naturally, it will certainly not obligate you to take many pages. Simply page by page relying on the moment that you need to check out FreeCAD: Learn Easily & Quickly By V. K. CHAUDHARY

# **FREECAD: LEARN EASILY & QUICKLY BY V. K. CHAUDHARY PDF**

The book "FreeCAD: [Learn Easily & Quickly]" is the latest book in the FreeCAD world. This book has been written on the basis of latest version of FreeCAD. This book include Video Tutorial Link at chapter number 9, 11 & 14 for easy and better understanding. The main advantages of this book is simple in language and clear screenshot.

- Sales Rank: #314738 in eBooks
- Published on: 2015-12-15
- Released on: 2015-12-15
- Format: Kindle eBook

Most helpful customer reviews

2 of 2 people found the following review helpful.

No useful guidance to "learn quickly" how to design parts in freeCAD. Mainly a copy of the freecadweb web site

By raph

This book seems to be mostly a copy of the light descriptions available on freecadweb (.org). For instance it just repeats how to navigate the tree view and switching btwn parts and sketches but no word on the all too common pitfalls a newbie at freecad will immediately experience (disappearing faces, checkmarks appearing out of nowhere and changing the tree view behavior, etc). Another example: the Measure Distance tool is described as "It measures distances". Fantastic. Now if one uses it, one quickly gets stuck in a mess. For instance it does not work in sketches, but does on parts, but then it keeps adding new measurements on the screen with no way to clear them (at least in my case the Measure > Clear Measurements command does not work, must be another 'have to be in this or that display mode for this command to work...').

And to top it off, there is no How-To part design example. This would have been a great way to walk noobs through some of the pitfalls of the GUI, as described above. Instead there are links to tutorials on the web, which I had already done.

No description / guidance either on the design strategies one should consider before design start, depending on your type of part (best location / orientation depending on the part shape / symmetries / features, which parts of the design to start with, etc). Very fast one realizes that this is extremely important. It can make a big difference in how long it takes to complete a part: blazing fast or at a crawling pace (many tools can be used in a few clicks by exploiting symmetries to axis or features in your design, instead of having to purposely first designing reference features, like the center of a circle, on which to apply the tools). No word either on how to design in reference features for subsequent operations (say how to start a line in the middle of another, or on the vertical tangent edge/point of a circle)

So I guess all this book will help me for is not to have to look up each command on the freecad web site, which was not a problem to start with...

0 of 0 people found the following review helpful.

"Learn quick and easy" is exactly right.

By Ben McLuckie

This book worked well for me: I needed to get started with FreeCAD as quickly as possible. I spent a couple of hours going through about 2/3rds of the book. After that I started making my own gears and hubs from scratch and 3d printed them for my robot. FreeCAD itself is overwhelming at first glance with the multitude of workbenches, toolbars. There is abundance of tutorials on YouTube and lots of online documents which I now turn to as I go further. But it was my initial need for a laser focus start that this book proved its value. Thanks to the author!

0 of 0 people found the following review helpful.

not a lot of examples, more a narration of ...

By James D. Wiehe

not a lot of examples, more a narration of the menus. An updated version with examples of increasing complexity showing detailed step by step instructions for novice FreeCad users.

See all 3 customer reviews...

## **FREECAD: LEARN EASILY & QUICKLY BY V. K. CHAUDHARY PDF**

After understanding this extremely simple means to read and also get this **FreeCAD: Learn Easily & Quickly By V. K. CHAUDHARY**, why do not you tell to others about this way? You could tell others to see this site and also go for looking them preferred books FreeCAD: Learn Easily & Quickly By V. K. CHAUDHARY As recognized, right here are lots of lists that provide many type of books to accumulate. Simply prepare couple of time and internet connections to get the books. You could really take pleasure in the life by checking out FreeCAD: Learn Easily & Quickly By V. K. CHAUDHARY in an extremely straightforward fashion.

Why ought to be this on the internet e-book **FreeCAD: Learn Easily & Quickly By V. K. CHAUDHARY** You may not require to go someplace to check out the books. You can review this publication FreeCAD: Learn Easily & Quickly By V. K. CHAUDHARY every single time as well as every where you really want. Even it is in our extra time or sensation bored of the jobs in the office, this corrects for you. Get this FreeCAD: Learn Easily & Quickly By V. K. CHAUDHARY now as well as be the quickest individual which finishes reading this publication FreeCAD: Learn Easily & Quickly By V. K. CHAUDHARY